

DOWNLIGHTS TRIUMPH ACTIVATE TILT

ROBUS®

TRIUMPH ACTIVATE TILT, LEDCHROIC, 6W LED Fire Rated Downlight, IP65, 104mm, White, Dimmable

Complementing the Triumph Activate range of downlights, we now have the 6W tilt version available in either Warm or Neutral White. The downlight consists of 2 main sealed components, the can, and the pivoting lighting module within it. This allows the complete fitting to be IP65 rated, whilst tilting to provide a great wall or display wash.



Applications:

- Retail shops
- Hotels
- Function rooms
- Bars & Clubs
- Restaurants
- Schools
- Bathrooms in the home or business
- Wet rooms and wash down areas

Construction:

Polycarbonate bezel and lens
Pressed steel can
Cast steel heat sink

Features:

- Tiltable to 25 degrees
- Tested and rated to IP65
- Latest Chip On Board Technology (COB) provides
 - High lumen output
 - Low power consumption
 - High efficacy
 - Low heat emissions
- State of the art Integrated Chips with no traditional electrolytic capacitors provide true Driver-On-Board (DOB) technology with all power supply, driver components, dimming, power factor, surge & thermal protection integrated onto the LED PCB and powered direct from the mains supply
- LEDCHROIC 38-degree optic & reflector with optional 60-degree lens
- Pre-wired with Robus SWIFT 4 pin male/female plug & play connector with large terminals and integrated cable restraint
- Fire, Acoustic & Airflow tested
- Wide operating temperature range

Benefits:

- Provides a great tilt angle for wall wash and displays
- Suitable for installation in wet areas. Most tilts are IP20 or IP44
- Single chip light beam for better uniformity and distribution
- Compared to LV Halogen:
 - Similar light output so one for one replacement
 - Reduces number of fittings and associated installation costs
 - Energy savings in excess of 80% reduces costs & CO₂
 - Complies with Part L1 & L2 efficacy requirements
 - Cooler running for long life -no lamp changes every 1000hrs
- No electrolytic capacitors for long driver life
- Very efficient technology and more reliable than "separate" or drivers "integrated" into the fitting and provides IC control for:
 - Stable drive current to maximise LED performance and life
 - Smooth dimming functionality as standard
 - Minimum driver power losses for energy efficiency
 - No power factor penalties from electricity supply companies
 - Circuit and component protection for long life
- Achieves the traditional look of a dichroic lamp
- Has a uniform light beam with gentle cut-off at extremities
- Provides standard light beam for standard ceiling heights
- Alternative wide angle lens for low ceilings
- Wiring can be completed at early stage using female connector
- Large 4 pin terminals for switch and permanent live conductors
- The fitting can be connected once other trades have completed
- Provides simple plug and play emergency pack connection
- Complies with Parts B, C & E of UK building regulations
- Suitable for environments with wide temperature changes

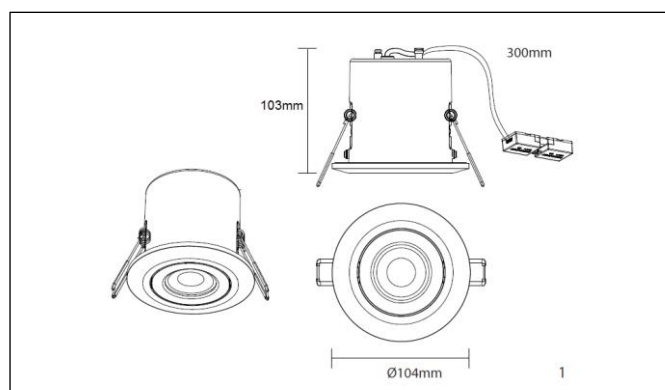
DOWNLIGHTS

TRIUMPH ACTIVATE TILT

ROBUS®

TRIUMPH ACTIVATE TILT, LEDCHROIC, 6W LED Fire Rated Downlight, IP65, 104mm, White, Dimmable

Product Code:	RATT6P03038-01	RATT6P04038-01
Comparable to Halogen	50	50
Total Power (W):	6	6
Total Light Output (lm):	450	490
Efficacy (lm / cctW):	75	82
Rated Life (hrs):	50,000	50,000
Warranty (yrs):	5	5
Illuminance at 1m (lx):	870	900
Beam Angle (deg):	38	38
CCT (K):	3,000	4,000
CRI (Ra):	81.5	81.5
Ingress Protection (IP):	65	65
Operating Temperature	-20 ≤ Ta ≤ +40	-20 ≤ Ta ≤ +40
Operating Voltage (Vac):	220-240	220-240
Power Factor (PF):	0.95	0.95
Height (mm):	103	103
Cut-out (mm):	89	89
Diameter (mm):	104	104
Depth (mm):	95	95
Projection (mm):	8	8
Box Qty:	1	1
Weight (kg):	0.52	0.52



Accessories:

- RATTTRIM-13** BRUSHED CHROME TRIM
- RATRENS-60** 60 DEGREE LEDCHROIC LENS

Standards & Approvals:

Complies with: EN 60598-1, EN 60598-2-2, EN 55015, EN 60001-3-2, EN 62471, EN 62493, EN 61547, BS 476-21, EN 60598-2-22

Cone Illuminance Diagram:

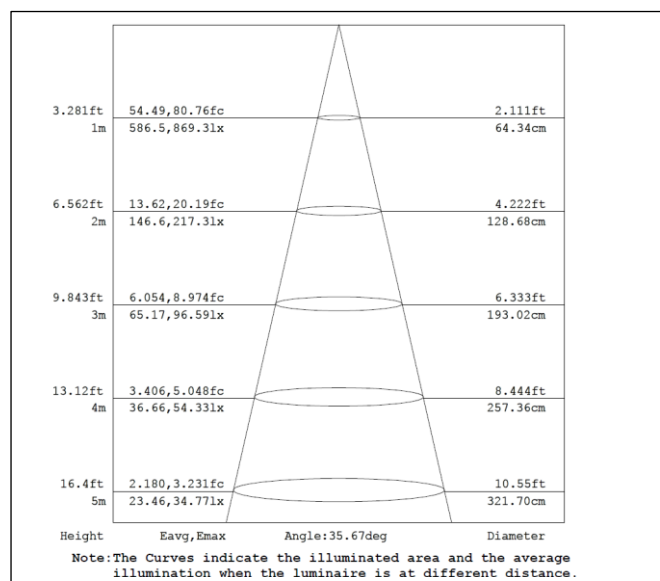
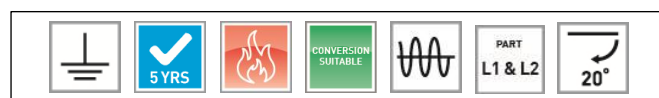


Diagram for RATT6P03038. Other diagrams available on request



Polar Intensity Diagram:

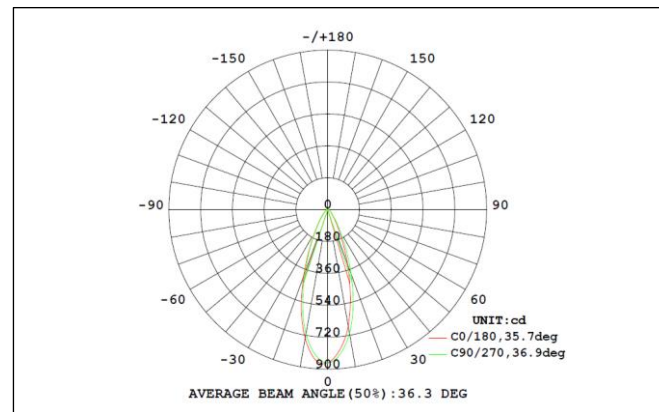


Diagram for RATT6P03038. Other diagrams available on request



PLEASE NOTE: INFORMATION IN THIS DOCUMENT MAY BE SUBJECT TO CHANGE WITHOUT PRIOR NOTICE

IRE: TEL: +353 1 709 9000 WEB: WWW.LEDGROUPROBUS.COM
 AUS: TEL: +61 7 3890 5444 WEB: WWW.LEDGROUPROBUS.COM.AU