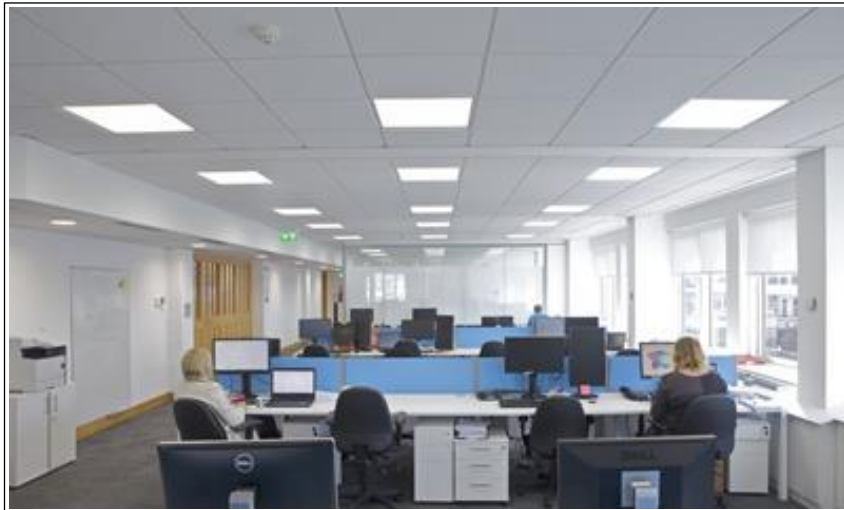


SPACE UGR<19 32W LED PANEL LIGHT, 600X600MM, WHITE

This innovative designed LED Space panel makes huge energy savings, while its specially designed optics ensure that Glare and Luminance are within the CIBSE guidelines for most room sizes. The panel allows the installation to comply with EN12464, so no eye strain, headaches, or other health issues associated with lighting in desk based applications



Applications:

- Offices
- Hospitals & Health Centres
- Shops
- Hotels
- Schools & Colleges
- Receptions
- Inspection areas

Construction:

- White powder coated frame
- PMMA TP_b diffuser
- Steel back plate

Features:

Benefits:

<ul style="list-style-type: none"> • Slim, clean & stylish lines with white powder coated aluminium trim 	<ul style="list-style-type: none"> • Looks attractive, less likely to harbour germs or dirt, easy clean
<ul style="list-style-type: none"> • 32W power and lumen package • Choice of 4,000K & 5,000K colour temperatures 	<ul style="list-style-type: none"> • Matches most ceiling tile & grid T-bar colours • Provides a one for one replacement for the most efficient T5 and T8 fluorescent light sources • Choice of CCT depending on use of the lit space
<ul style="list-style-type: none"> • DALI, Analogue 1-10v, SwitchDim options • High output P&P emergency kit provides 580/620lm output 	<ul style="list-style-type: none"> • Enhanced energy savings from manual or daylight dimming options • Swift plug & play emergency module for fast install or retro-fit • For safe emergency lighting it has almost 3 times greater light output than the Pod type on the top of some panels
<ul style="list-style-type: none"> • PMMA TP_b diffuser with integrated anti-glare prisms 	<ul style="list-style-type: none"> • Meets Part B Building Regulations to inhibit the spread of fire across a ceiling • Allows maximum light transmission • Complies with EN12464 for offices, classrooms or similar areas <ul style="list-style-type: none"> • Reduces UGR to within CIBSE guidelines (≤19) • Limits computer screen luminance ≤3,000cd/m² at angles ≥65°
<ul style="list-style-type: none"> • Only high-quality Shenzhen Mason Technologies SMD LED's with certified LM80 LED data are used in the luminaires for: <ul style="list-style-type: none"> • High luminous flux with low lumen depreciation • Low power consumption • High efficacy • Long life 	<ul style="list-style-type: none"> • Meets ETCL requirements for Enhanced Capital Allowances • Consistent light output, CCT and CRI over life • ≈50% energy saving compared to T8 reduces carbon footprint & running costs with fast ROI • Complies with current & foreseeable efficacy requirements of Building Regulations • Long LED rated life with virtually no maintenance costs
<ul style="list-style-type: none"> • Solid state technology <ul style="list-style-type: none"> • No heat filaments, electrodes or seals • No cool down or warm up time 	<ul style="list-style-type: none"> • Rugged – will not fail through vibration or hot to cold temperature changes for huge maintenance cost savings • Can be used in conjunction with presence detectors to provide “instant on” or off for additional energy savings • Short-time switching is not detrimental to LED life as it is with traditional light sources
<ul style="list-style-type: none"> • Low flicker advanced driver architecture design with full no-flicker optional driver 	<ul style="list-style-type: none"> • No eye, headache discomfort or other maladies caused by flicker which may not be discernible to the human eye but may have psychological repercussions for susceptible people
<ul style="list-style-type: none"> • Pre-wired 4 pin Swift male and female connector 	<ul style="list-style-type: none"> • Lots of wiring space & big terminals for fast & easy connection
<ul style="list-style-type: none"> • Choice of suspension or surface mount accessories 	<ul style="list-style-type: none"> • Provides options for solid or apex type ceiling installations

SPACE UGR<19 32W LED PANEL LIGHT, 600X600MM, WHITE

Product Code:	RSP32406060G-01	RSP32506060G-01
Comparable to:	4x18W T8	4x18W T8
Total Power (W):	30.9	30.8
Total Light Output (lm):	3,290	3,360
Light Output Emergency Mode (lm):	580	620
Efficacy (lm / cctW):	106	109
Rated Life (hrs):	50,000	50,000
Warranty (yrs):	5	5
Illuminance at 1m (Lux):	1,290	1,310
Beam Angle (deg):	100	100
CCT (K):	4,000	5,000
CRI (Ra):	80	80
Ingress Protection (IP):	20	20
Impact Rating (IK):	06	06
Operating Temperature (°C):	-20 ≤ Ta ≤ +40	-20 ≤ Ta ≤ +40
Power Factor (PF):	0.95	0.95
Length (mm):	595	595
Width (mm):	595	595
Depth (mm):	10	10
Box Qty:	1	1
Weight (kg):	3	3

Room dimension		Viewed crosswise					Viewed endwise					
x	y											
2H	2H	15.3	16.9	15.7	17.2	17.5	15.4	17.0	15.8	17.3	17.6	
	3H	16.5	17.9	16.9	18.2	18.6	16.7	18.1	17.1	18.4	18.8	
	4H	16.9	18.2	17.3	18.6	18.9	17.2	18.5	17.6	18.8	19.2	
	6H	17.2	18.4	17.6	18.8	19.2	17.6	18.8	18.0	19.2	19.6	
	8H	17.2	18.4	17.6	18.8	19.2	17.7	18.9	18.1	19.3	19.7	
	12H	17.2	18.4	17.7	18.7	19.2	17.8	18.9	18.2	19.3	19.7	
4H	2H	15.6	16.9	16.0	17.3	17.6	15.7	17.0	16.1	17.4	17.8	
	3H	16.9	18.0	17.3	18.4	18.9	17.2	18.3	17.6	18.7	19.1	
	4H	17.5	18.5	18.0	18.9	19.4	17.9	18.9	18.3	19.3	19.7	
	6H	17.9	18.8	18.4	19.3	19.7	18.5	19.3	18.9	19.8	20.2	
	8H	18.1	18.9	18.6	19.3	19.8	18.7	19.5	19.2	19.9	20.4	
	12H	18.2	18.9	18.6	19.3	19.9	18.9	19.6	19.3	20.1	20.6	
8H	4H	17.7	18.5	18.2	18.9	19.4	18.1	18.9	18.6	19.4	19.8	
	6H	18.2	18.9	18.7	19.4	19.9	18.9	19.5	19.4	20.0	20.5	
	8H	18.5	19.1	19.0	19.6	20.1	19.3	19.9	19.8	20.4	20.9	
	12H	18.6	19.1	19.1	19.6	20.1	19.5	20.0	20.1	20.5	21.1	
	12H	4H	17.7	18.5	18.2	18.9	19.4	18.1	18.9	18.6	19.3	19.8
		6H	18.3	18.9	18.9	19.4	19.9	19.0	19.6	19.5	20.1	20.6
8H		18.6	19.1	19.1	19.6	20.1	19.4	19.9	19.9	20.4	20.9	

RELUX®
light simulation tools

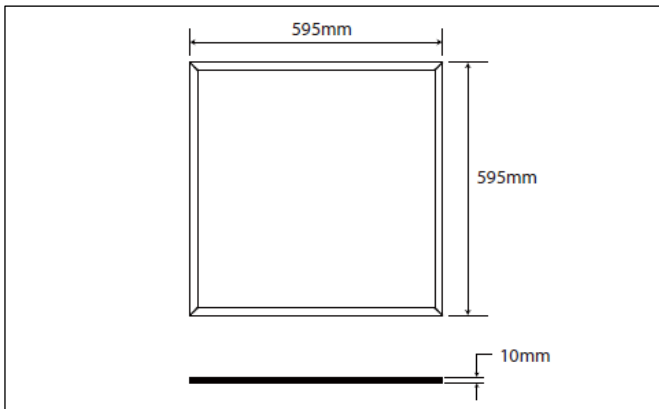
Luminaire data

LEDGroup Robus, SPACE UGR<19 32W LED PAN... (RSP32506060G-01)

Glare Rating (UGR)

Reflectance of Ceiling	0.7	0.7	0.5	0.5	0.3	0.7	0.7	0.5	0.5	0.3
Walls	0.5	0.3	0.5	0.3	0.3	0.5	0.3	0.5	0.3	0.3
Floor Cavity	0.2	0.2	0.2	0.2	0.2	0.2	0.2	0.2	0.2	0.2

Room dimension		Viewed crosswise					Viewed endwise					
x	y											
2H	2H	15.3	16.9	15.7	17.2	17.5	15.4	17.0	15.8	17.3	17.6	
	3H	16.5	17.9	16.9	18.2	18.6	16.7	18.1	17.1	18.4	18.8	
	4H	16.9	18.2	17.3	18.6	18.9	17.2	18.5	17.6	18.8	19.2	
	6H	17.2	18.4	17.6	18.8	19.2	17.6	18.8	18.0	19.2	19.6	
	8H	17.2	18.4	17.6	18.8	19.2	17.7	18.9	18.1	19.3	19.7	
	12H	17.2	18.4	17.7	18.7	19.2	17.8	18.9	18.2	19.3	19.7	
4H	2H	15.6	16.9	16.0	17.3	17.6	15.7	17.0	16.1	17.4	17.8	
	3H	16.9	18.0	17.3	18.4	18.9	17.2	18.3	17.6	18.7	19.1	
	4H	17.5	18.5	18.0	18.9	19.4	17.9	18.9	18.3	19.3	19.7	
	6H	17.9	18.8	18.4	19.3	19.7	18.5	19.3	18.9	19.8	20.2	
	8H	18.1	18.9	18.6	19.3	19.8	18.7	19.5	19.2	19.9	20.4	
	12H	18.2	18.9	18.6	19.3	19.9	18.9	19.6	19.3	20.1	20.6	
8H	4H	17.7	18.5	18.2	18.9	19.4	18.1	18.9	18.6	19.4	19.8	
	6H	18.2	18.9	18.7	19.4	19.9	18.9	19.5	19.4	20.0	20.5	
	8H	18.5	19.1	19.0	19.6	20.1	19.3	19.9	19.8	20.4	20.9	
	12H	18.6	19.1	19.1	19.6	20.1	19.5	20.0	20.1	20.5	21.1	
	12H	4H	17.7	18.5	18.2	18.9	19.4	18.1	18.9	18.6	19.3	19.8
		6H	18.3	18.9	18.9	19.4	19.9	19.0	19.6	19.5	20.1	20.6
8H		18.6	19.1	19.1	19.6	20.1	19.4	19.9	19.9	20.4	20.9	



Accessories:

- RSP32FF-PSU** 32W FLICKER FREE DRIVER
- R6060SMKFB-01** SURFACE MOUNTING BOX, 50MM DEPTH
- R6060SMKDN-01** SURFACE MOUNTING BRACKET
- RAMSUS-4W** 4 WIRE SUSPENSION KIT
- RAMSST** SAFETY BRACKET AND 2M STRAP
- RAMRC** PLASTER BOARD RECESSED MOUNTING KIT
- HED2040-D** DALI, 1-10V, SWITCH DIM, 40W RATED DRIVER
- R3EMPk-PSU** 3 HOUR EMERGENCY PACK

Standards & Approvals:

Complies with: EN 60598-2-1, EN 60598-2-2, EN 55015, EN 61000-3-2, EN 61000-3-3, EN 61547, EN 62471, EN 62493, EN 62384

Cone Illuminance Diagram:

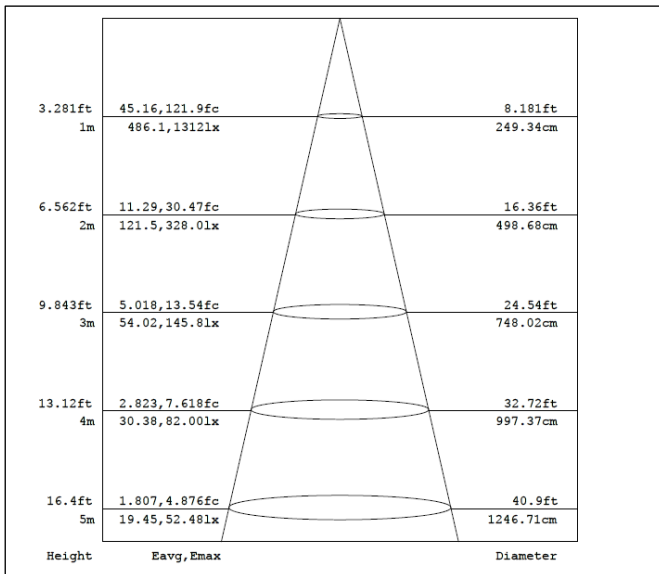


Diagram for RSP32506060G-01 in 5,000K. Other diagrams available on request

Polar Intensity Diagram:

