

ROCKSTAR LED 20/36/45W RECESSED WALL WASHER

RRC02045-01, RRC03645-01 RRC04445-01

Please read instruction before commencing installation and retain for future reference.

Specification:

Production Code:	RRC02045	RRC03645	RRC04445
Power Consumption:	20W	36W	44W
Lumen Output:	1850lm	3400lm	4200lm
Weight:	1.45kg	1.5kg	1.58kg
Supply Voltage:	100-240V~ 50/60Hz		
Colour Temperature:	4500K		
CRI:	85		
Beam Angle:	120°		
IP Range:	IP20		
Power factor:	0.95		
Safety Classification:	Class I (must be earthed)		
Operating Temperature Range:	-20°C ~ 40°C		
Dimensions (mm):	(L)250 X (W)150 X (H)137mm		
Cut out:	220 X 130mm		
Installation:	Recessed mounted		
Warranty:	3 years		
Suitable for mounting on normally flammable surface			
Minimum distance from illuminated object is 1 metre			
Warning! To prevent overheating, neither the fitting nor its driver may be covered by thermal insulation.			

Installation:

! Electrical products can cause death or injury, or damage to property. If in any doubt about the installation or use of this product, consult a competent electrician.

- 1 Ensure mains supply is switched off before commencing installation.
- 2 Mark ceiling with appropriate cut-out size. Before cutting, ensure that the hole does not impinge on joists, pipe work, cables or other building services.
- 3 Ensure that neither luminaire nor driver is covered by thermal insulation. Ensure that there is at least 50mm of free space above and around the luminaire to avoid overheating.
- 4 Connect mains supply to Junction box (Brown – Live, Blue – Neutral & Green/yellow earth) input terminals.
- 5 Offer luminaire up to cut-out with the leg of each spring being held against the fitting bracket. The luminaire is retained in position by the spring tension between the leg of each spring.

Note:

Product technical information and specification may change over time without prior notification. For the latest technical information please visit our web site www.ledgrouprobust.com or robustdirect.com

Information for the Product user

1. Please note the requirement to dispose of Waste Electrical & Electronic Equipment separately from household waste (WEEE marked with crossed out wheellie bin symbol).
2. Please consider your role in contributing to re-use and recycling by returning this product at end of life to a collection centre for waste electrical equipment or a Civic Amenity site, or to a retail outlet from which you are purchasing a replacement.
3. This equipment may contain substances that are hazardous to health and the environment if disposed of carelessly. It is important that it is separated from normal household waste and recycled in the WEEE chain.
4. The "crossed out wheellie bin symbol" on a product indicates this equipment must not be disposed of in normal household waste, but should be disposed of according to local WEEE regulations.

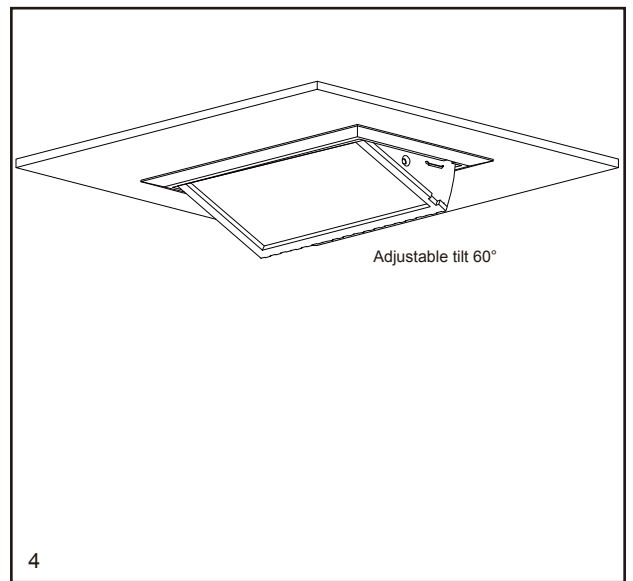
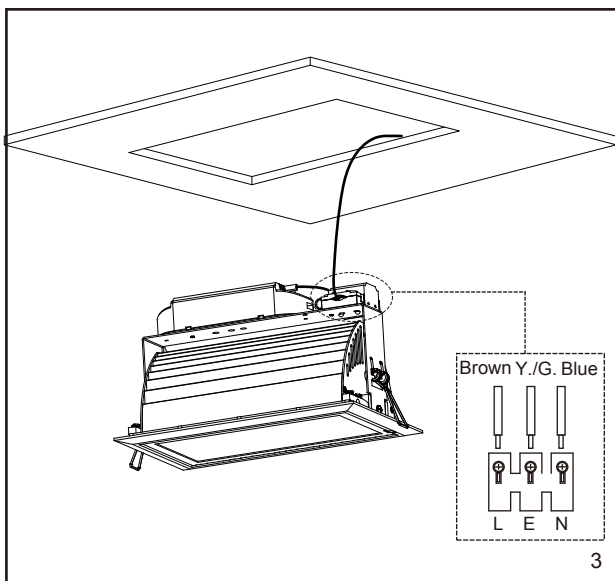
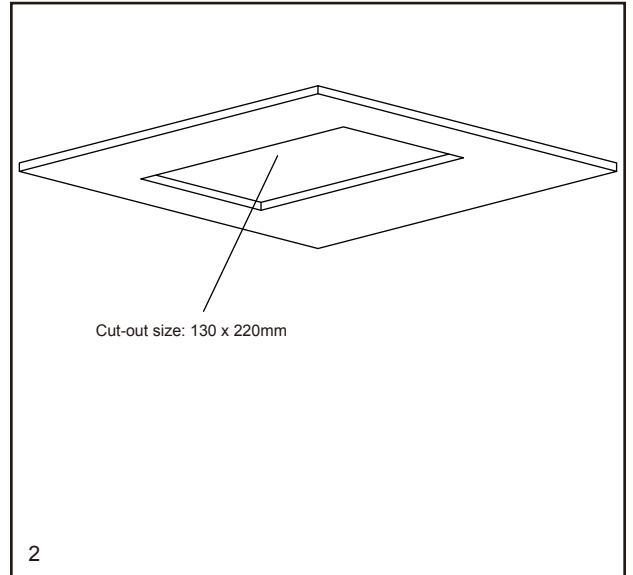
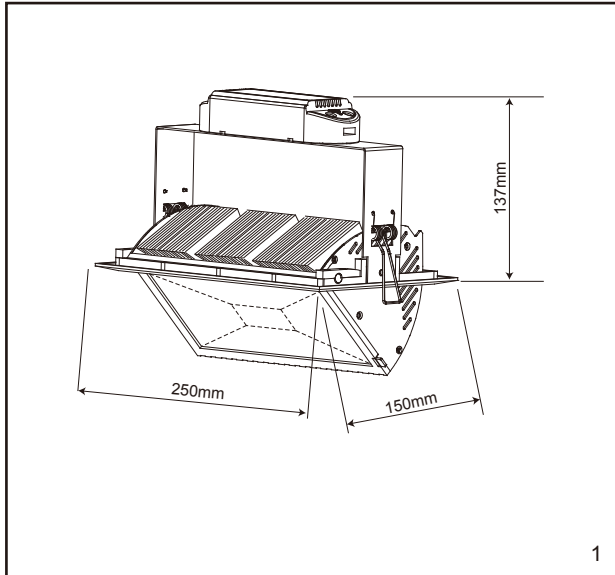
The Installation must be carried out by an electrician

LED Group
Western Retail Park
Nangor Road
Dublin 12
Ireland

Tel: +353 1 7099000
Fax: +353 1 7099060
Email: info@led.ie
Website: www.led.ie



Installation diagram:



The Installation must be carried out by an electrician

LED Group
Western Retail Park
Nangor Road
Dublin 12
Ireland

Tel: +353 1 7099000
Fax: +353 1 7099060
Email: info@led.ie
Website: www.led.ie

