

ROBUS®

INDUSTRIAL

HARBOUR DUO

10W/20W, 20W/40W, 30W/60W,
40W/80W, IP65, 2ft, 4ft, 5ft, 6ft



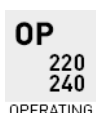
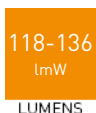
PRODUCT INFORMATION DOCUMENT

FEATURES

- Suitable for workshops, garages, warehouses, car parks, farm buildings, wet areas
- Unique design allowing switch between two wattages to suit installation area requirements
- Two-piece construction making wiring and installation much easier and faster
- Complete with stainless steel clips and screws
- Can easily be converted to emergency using RLEMPKDT-PSU sold as an accessory
- Plug and play microwave sensor available as an accessory (RLMW)

CONSTRUCTION

- Grey coloured polycarbonate body
- Opal polycarbonate diffuser
- Stainless steel clips
- Aluminium gear tray



Product Code:	RHD10202FT-24	RHD20404FT-24	RHD30605FT-24	RHD40806FT-24
Comparable to:	2 x 18W T8	2 x 36W T8	2 x 58W T8	2 x 70W T8
Total Power (W):	9.6/18.5	20.2/39.6	29.6/58.4	38.8/75.1
Power Factor:	0.9	0.95	0.95	0.95
Beam Angle (Deg):	140	140	140	140
Total Light Output (lm):	1210/2250	2750/4800	3930/6920	5210/8920
Total Emergency Light Output (lm):	330	330	330	330
Efficacy (lm/cctW):	127/122	136/121	133/118	134/119
Lux at 1m (lux):	310/580	710/1250	1020/1800	1270/2170
Emergency Lux at 1m (lux):	60	50	50	50
CCT (K):	4000	4000	4000	4000
CRI:	80	80	80	80
IP:	65	65	65	65
Operation Temperature (°C):	-20 ≤ Ta ≤ +40	-20 ≤ Ta ≤ +40	-20 ≤ Ta ≤ +40	-20 ≤ Ta ≤ +40
Inrush Current:	7.2A/52ns	30A/2us	9.2A/0.54us	8.96A/94ns
RG Value:	0	0	0	0
SDCM:	6	6	6	6
Pst LM:	NA	NA	NA	NA
SVM:	NA	NA	NA	NA
Energy Class:	D	D	D	D
Rated Life to L70B50 (Hrs):	50000	50000	50000	50000
Dimensions LxWxH (mm):	600x80x72	1200x80x72	1500x80x72	1800x80x72
Weight (kg):	0.73	1.37	1.78	2.07

Separate Control Gear Information

Type of Light Source:	LED	LED	LED	LED
Full Load Efficiency (%):	87	91	91	93
P _{NET} (W):	NA	NA	NA	NA
Dimensions (mm):	144x22x23	148x34x26	192x40x26	192x40x26

PLEASE NOTE: INFORMATION IN THIS DOCUMENT MAY BE SUBJECT TO CHANGE WITHOUT PRIOR NOTICE

IRE: TEL: +353 1 709 9000
UK: TEL: 0800 973 220
AUS: TEL: +61 7 3890 5444
NZ: TEL: +64 03 668 5285

WEB: ROBUS.COM
WEB: ROBUS.COM
WEB: ROBUS.COM.AU
WEB: ROBUSLED.CO.NZ

LED GROUP EUROPE · UK · AUSTRALIA · NEW ZEALAND · ASIA · MIDDLE EAST · AFRICA

HARBOUR DUO

10W/20W, 20W/40W, 30W/60W,
40W/ 80W, IP65, 2ft, 4ft, 5ft, 6ft

Cone Illuminance Diagram

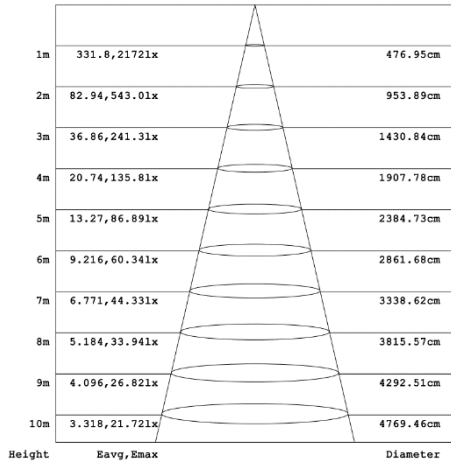
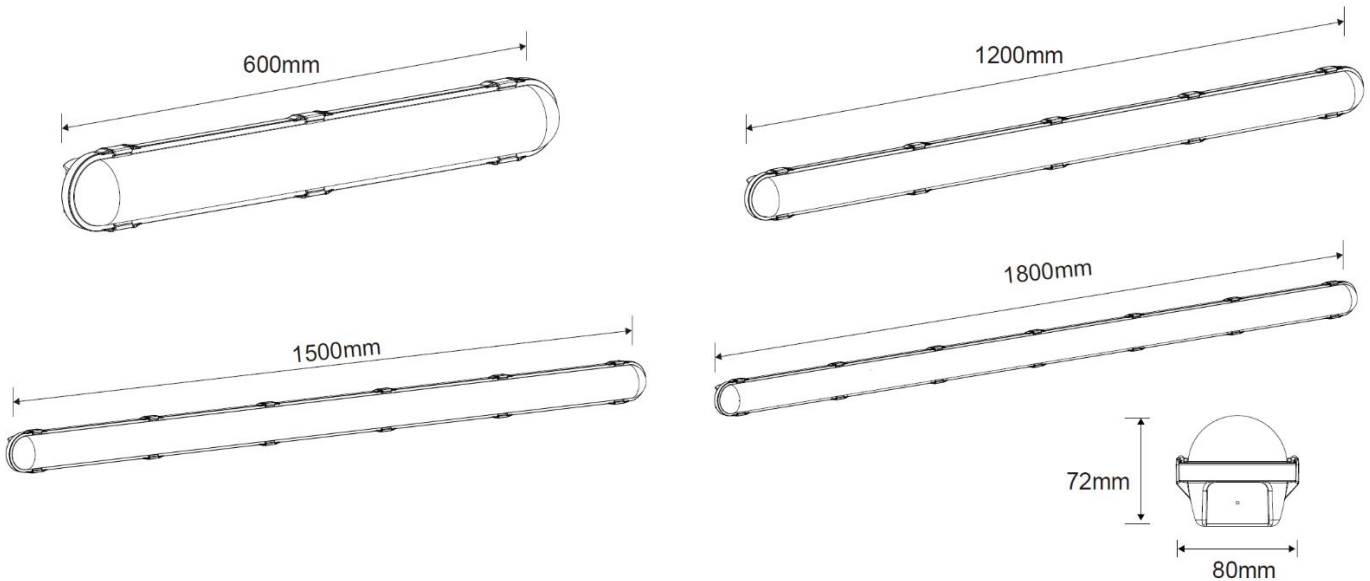


Diagram for RHD40806FT-24 in 40W. Other diagrams available on request

Dimension Diagram



Polar Intensity Diagram

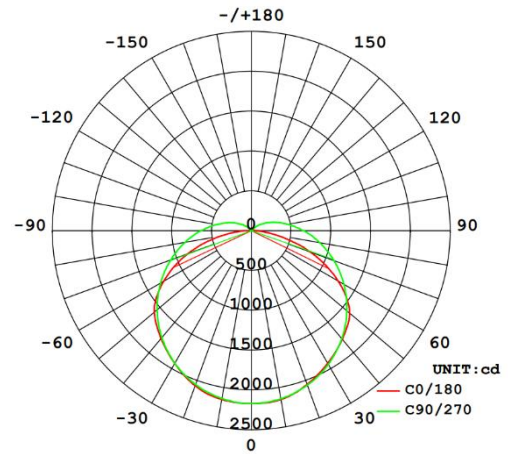


Diagram for RHD40806FT-24 in 40W. Other diagrams available on request

Accessories

RLEMPKDT-PSU 2W 3 Hour DUAL TEST Emergency Pack
RLMW Plug-in Microwave Sensor

PLEASE NOTE: INFORMATION IN THIS DOCUMENT MAY BE SUBJECT TO CHANGE WITHOUT PRIOR NOTICE

IRE: TEL: +353 1 709 9000
UK: TEL: 0800 973 220
AUS: TEL: +61 7 3890 5444
NZ: TEL: +64 03 668 5285

WEB: ROBUS.COM
WEB: ROBUS.COM
WEB: ROBUS.COM.AU
WEB: ROBUSLED.CO.NZ

LED GROUP EUROPE · UK · AUSTRALIA · NEW ZEALAND · ASIA · MIDDLE EAST · AFRICA