

## OUTDOOR

# ROBUS®

### REMY LED 10W, 20W, 30W, 50W, IP65 FLOODLIGHTS, BLACK, 3,000K AND 4,000K, STANDARD AND PIR

This superb range of LED flood lights provide energy saving solutions for a range of applications in domestic or non-domestic installations. Attractive slim, rounded aesthetics and high quality materials ensure that these fittings will always look good and contribute to achieving the carbon savings we are obliged to meet.



#### Applications:

- Church halls
- Garages, Workshops & Industrial units
- Loading areas
- Work stations
- Show room features & Exhibition stands
- Decking areas & Garden features
- Drives & Paths
- Sign illumination

#### Construction:

Moulded polycarbonate bezel  
Tempered glass frosted diffuser  
Die cast aluminium body (10W is all polycarbonate)  
Galvanised mounting bracket  
Stainless steel external fixings

#### Features:

- Extensive range from 10W to 50W
- PIR versions available:
- 10W in 3,000K and 10W, 20W, & 30W in 4,000K with:
  - Adjustable sensitivity, time-off delay and light switching level
  - Manual over-ride
- Slim contoured body design finished in matt black
- Quality construction materials
  - Polycarbonate & aluminium body
  - Tempered glass frosted diffuser
- Pre-drilled angled stirrup mounting bracket
- Rear glanded termination box
- Utilises high quality Kingbrighter Opto-Electronics 3,000K or 4,000K SMD LED's with:
  - High luminous flux
  - Low power consumption
  - High efficacy
  - Long LED life
- Solid state technology

#### Benefits:

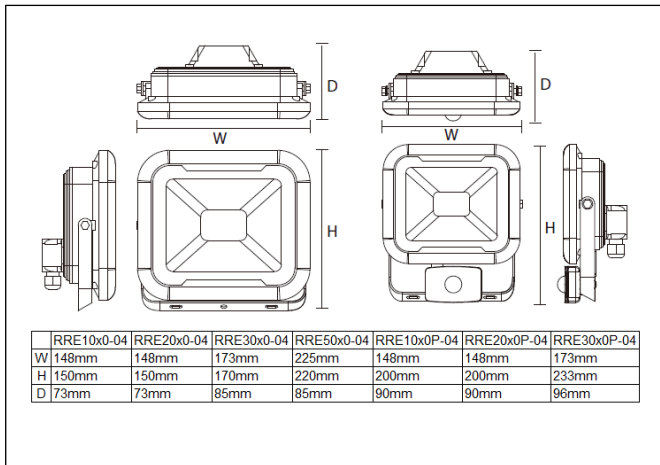
- Suitable for domestic or small commercial applications
- Time, lux and sensitivity adjustments provide additional energy saving or "effect" functionality if used for highlighting displays indoors where lighting is only needed when people are there
- Temporarily over-rides time delay off to provide continuous light
- Resets to automatic after 8 hours so energy is not wasted
- Attractive aesthetics
- Will match or contrast with most colour schemes
- No maintenance throughout life
- Will retain its "new condition" look for years
- Strong and durable with IK07 impact rating
- Provides easy access to wall fixing screws for fast installation
- Allows flood to be tilted to direct the light where required
- Bespoke cable length can be used direct from internal JB to flood
- Rewired external fittings can sometimes require an unsightly externally mounted JB
- Excellent high brightness light output comparable to high power consumption Tungsten Halogen or Metal Halide whilst making energy savings of >80%
- Provides very low running costs
- Reduces carbon emissions and building carbon footprint
- Long life of 30,000 hours with no costly lamp replacements or other maintenance costs
- Rugged – No heat filaments or electrodes to prematurely fail through vibration or environment temperature variations
- No warm up or cool down period so ideal for switching by microwave, PIR and/or photocell to provide even greater energy savings without detriment to LED life
- Provides additional practical applications for the floods

OUTDOOR

# ROBUS®

REMY LED 10W, 20W, 30W, 50W, IP65 FLOODLIGHTS,  
BLACK, 3,000K AND 4,000K, STANDARD AND PIR

Product Codes:	STD PIR	RRE1030-04/RRE1040-04 RRE1030P-04/RRE1040P-04	RRE2030-04/RRE2040-04 RRE2040P-04	RRE3030-04/RRE3040-04 RRE3040P-04	RRE5030-04/RRE5040-04 N/A
Comparable to MH (W):		20	35	50	80
LV Halogen (W):		75	150	200	350
Total Power (W):		9.7/9.6	19.7/19.6	28.9/28.7	46.6/46.7
Total Light Output (lm):		800/880	1,550/1,730	2,530/2,750	4,020/4,670
Efficacy (lm / cctW):		82/92	79/90	87/96	86/100
Rated Life (hrs):		30,000	30,000	30,000	30,000
Warranty (yrs):		3	3	3	3
Illuminance at 1m (lx):		340/370	710/780	1,110/1,200	1,660/1,900
Beam Angle (deg):		100	100	100	100
CCT (K):		3,000/4,000	3,000/4,000	3,000/4,000	3,000/4,000
CRI (Ra):		80	80	80	80
Ingress Protection (IP):		65	65	65	65
Impact Rating (IK):		07	07	07	07
Operating Temperature (°C):		-20 ≤ Ta ≤ +40	-20 ≤ Ta ≤ +40	-20 ≤ Ta ≤ +40	-20 ≤ Ta ≤ +40
Operating Voltage (Vac):		220-240	220-240	220-240	220-240
Power Factor (PF):	STD/PIR	0.95/0.5	0.95/0.5	0.95/0.9	0.95
Width W (mm):	STD/PIR	148/148	148/148	173/173	225/NA
Height H (mm):	STD/PIR	150/200	150/200	170/233	220/NA
Depth D (mm):	STD/PIR	73/90	73/90	85/96	85/NA
Box Qty:		1	1	1	1
Weight (Kg):	STD/PIR	0.49/0.6	0.63/0.7	0.83/0.9	1.1/NA



PIR data:	
Time off delay:	10s - 10min
Lux settings:	10 - 2,000 lx
Mounting height range:	2.5 - 4m Max
Detection range:	7 - 10m Max
Detection angle:	120°
Ingress Protection (IP):	65

Accessories:

- RMCSPIKE-04                      GROUND SPIKE
- R10FSA-24                        SIGN ARM

Standards & Approvals:

Complies with: EN 60598-1, EN 60598-2-5, EN 62471, EN 62493, EN 55015, EN 61000-3-2, EN 61000-3-3, EN 61547

Cone Illuminance Diagram:

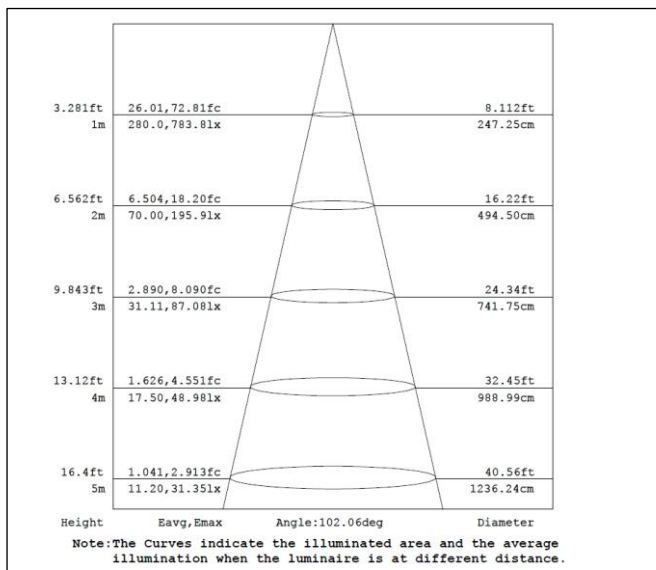


Diagram for RRE2040-04. Other diagrams available on request

PART  
L1 & L2

PHOTO  
METRICS

Polar Intensity Diagram:

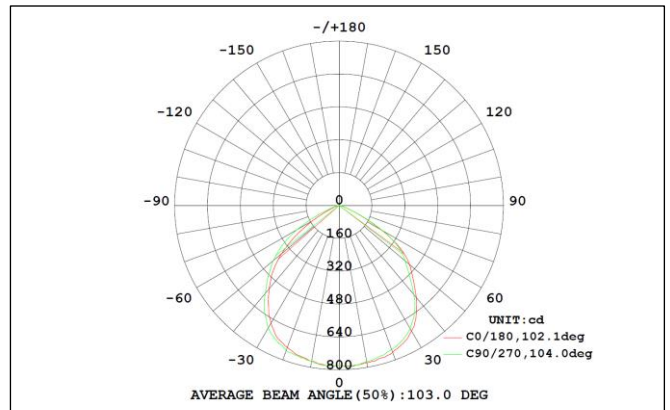


Diagram for RRE2040-04. Other diagrams available on request



PLEASE NOTE: INFORMATION IN THIS DOCUMENT MAY BE SUBJECT TO CHANGE WITHOUT PRIOR NOTICE

IRE: TEL: +353 1 709 9000    WEB: WWW.LEDGROUPROBUS.COM  
 AUS: TEL: +61 7 3890 5444    WEB: WWW.LEDGROUPROBUS.COM.AU