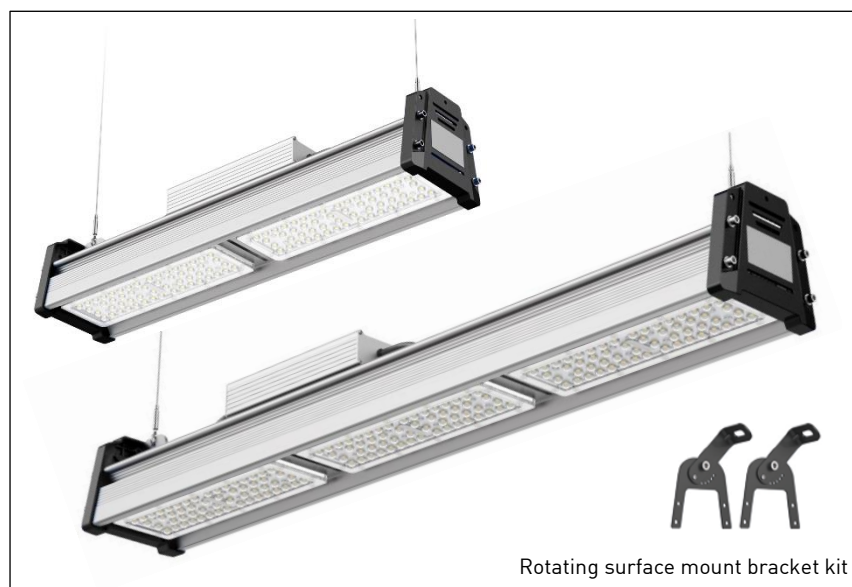


## PRISMOID 120W AND 150W LED LINEAR HIGH BAY, IP65, 1-10V DIMMABLE, SILVER, 5000K

This dimmable luminaire utilises the latest LED chip, driver and optic technology to provide lighting solutions for both high rack and high bay applications using the standard aisle, or optional wide area optics. Using the specially designed aisle optic uses the light more effectively to reduce luminaire quantities. This results in high energy cost and CO<sub>2</sub> savings of greater than 50% to ensure compliance with today's building performance requirements



Rotating surface mount bracket kit

### Applications:

- Warehouse storage and racking aisles
- Manufacturing plants & assembly areas
- Workshops, bus & coach garages
- Aircraft hangers
- Farm buildings
- Retail superstores
- Car, van and other showrooms
- Gymnasiums & sports halls

### Construction:

- Extruded and sandblasted natural aluminium housing finished with Anodic Oxidation coating process
- PMMA LED lens cover material
- Steel end caps
- Stainless steel fasteners
- Aluminium PCB Material

### Features:

- Housing manufactured from sandblasted extruded natural aluminium and finished with Anodic Oxidation coating process
- Black painted steel end caps
- 70° x 30° beam PMMA standard LED lens covers
- Utilises high quality Lightning Optoelectronic SMD LED's for:
  - High lumen output
  - Low power consumption
  - Long life
- 1-10VDC dimmable driver as standard
- Solid state technology
- Wide ambient temperature operating range
- IP65
- Supplied with suspension kit and anchor bolt hooks
- Rotating bracket kit accessory available
- 90-degree lens accessory available
- Flying lead mains & control cables

### Benefits:

- Neat aesthetics with excellent heat dissipation for enhanced LED life
- Strong and durable with highest impact rating available
- High resistance to corrosion
- Provides the ideal beam pattern for warehouse rack aisle applications
- Great light uniformity with light directed along the aisle with a smaller amount on the racking sides for rack and label visibility
- Reduces the number of symmetric beam angle luminaires by 50%
- Compared to metal halide 250W & 400W:
  - Provides comparable lumen output for a one for one replacement
  - Reduces power consumption and CO<sub>2</sub> emissions by over 50%
  - No costly re-lamp costs over its exceptionally long life
- Compatible with PIR or Microwave sensors to provide on/off, step or full daylight linking
- Provides functional and/or energy and running cost saving benefits
- Rugged – No filaments or electrodes to prematurely fail through vibration or hot to cold temperature changes provides maintenance cost savings
- Short time switching is not detrimental to LED life as it is with traditional light sources
- Ideal for installations with extremes of hot/cold temperatures such as warehouses
- Allows installation in wet or dusty environment
- Suspension mounting for most standard mounting applications
- Mounting options for horizontal, sloping or vertical surfaces
- Ideal beam pattern for maximum coverage of assembly or manufacturing areas
- Allows installer to choose connection methodology
- Will not potentially compromise IP rating of driver connection

PRISMOID 120W AND 150W LED LINEAR HIGH BAY, IP65,  
1-10V DIMMABLE, SILVER, 5000K

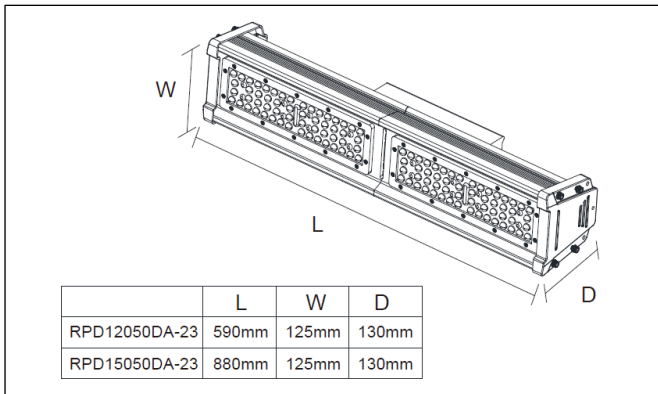
Product Code:	RPD12050DA-23	RPD15050DA-23
Comparable to:	250W Metal halide	400W Metal halide
Total Power (W):	118.4	148.2
Total Light Output (lm):	16160	19940
Efficacy (lm / cctW):	136	135
Rated LED Life (hrs):	50000	50000
Warranty (yrs):	5	5
Illuminance at 1m (lx):	25070	31290
Beam Angle (deg):	30x70	30x70
CCT (K):	5,000	5,000
CRI (Ra):	75	75
Ingress Protection (IP):	65	65
Impact Rating (IK):	10	10
Operating Temperature (°C):	-25 ≤ Ta ≤ +40	-25 ≤ Ta ≤ +40
Output Current (mA):	2380	3090
Operating Voltage (Vac):	100-240	100-240
Power Factor (PF):	0.99	0.99
Height (mm):	125	125
Length (mm):	590	880
Width (mm):	130	130
Box Qty:	1	1
Weight (kg):	4.0	5.5

**Accessories:**

- RPDRB** ROTATABLE SURFACE MOUNTING BRACKETS
- RPDL90** 90° LENS COVER\*\*
- RDLHRV-HMW32S** 1-10VDC MW DAYLIGHT HARVEST SENSOR
- RRD360MW-01** 1-10VDC 3 STEP DIMMING SENSOR
- RSW44-P** SWIFT IP20 4 POLE MALE/FEMALE CONNECTOR
- RCONIP68-04** IP68 IN-LINE 3 TERMINAL CONNECTOR



\*\* Note: 2 lens covers required for the 120W, 3 for the 150W



**Standards & Approvals:**

Complies with: EN60598-1, EN60598-2-1 EN 60598-2-5, EN55015, EN 60001-3-2, EN 60001-3-3, EN 62493, EN61547, EN 62471

**Cone Illuminance Diagram:**

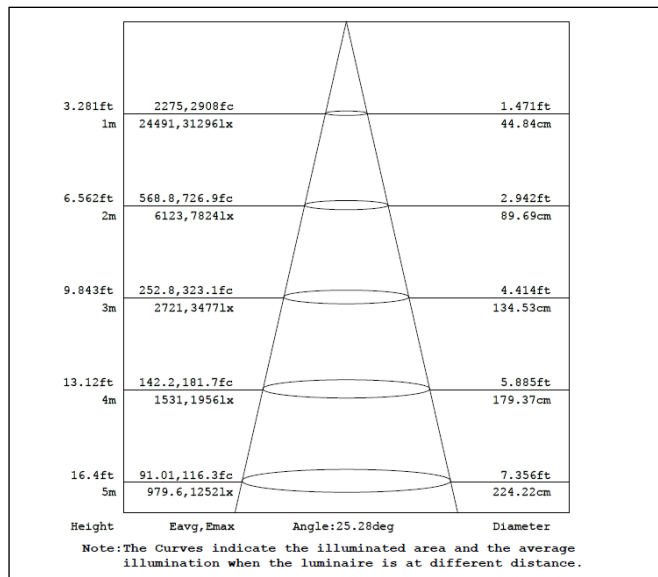
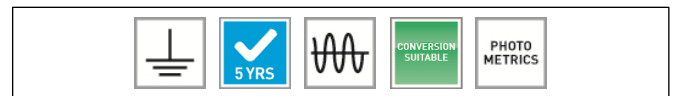


Diagram for RPD15050DA-23. Other diagrams available on request



**Polar Intensity Diagram:**

