

ROBUS®

SURFACE FITTING

PORTAL LED CCT3

18W, IP54



PRODUCT INFORMATION DOCUMENT

FEATURES

- Available in standard, emergency, sensor, and emergency + sensor versions
- Equipped with CCT switch allowing selection between 3000K, 4000K and 6500K
- Easy wiring through the double cable entries with added silicon grommets
- 4-way, twin push-in connector block for easy loop-in/ loop-out accessible via trap door in the base of the fitting
- Slim profile of 60mm height
- Sensor versions: Dip switches located on back of fitting to control: Detection area, hold time, lux setting, stand by time and stand by dimming level

CONSTRUCTION

- Polycarbonate base and opal diffuser
- Cold rolled steel mounting bracket
- Aluminium LED plate



WARRANTY



LIFETIME



LUMENS PER W



IK RATING



IP RATING



OPERATING VOLTAGE



BEAM ANGLE



NON DIMMABLE DIMMING



CCT



SAFETY CLASS

Product Code:	RPO18CCT3-01	RPO18CCT3S-01	RPO18CCT3E-01	RPO18CCT3ES-01
Comparable to:	2x18W PL Fluorescent	2x18W PL Fluorescent	2x18W PL Fluorescent	2x18W PL Fluorescent
Total Power (W):	17.2/16.6/17.3	19.5/18.7/19.4	18.1/17.4/18.0	19.5/18.7/19.4
Power Factor:	0.6	0.9	0.6	0.9
Total Light Output (lm):	1780/1980/1880	1710/1870/1760	1800/2000/1890	1710/1870/1760
Total Emergency Light Output (lm):	NA	NA	230	230
Efficacy (lm/cctW):	104/119/109	88/100/91	100/115/105	88/100/91
Lux at 1m (lux):	510/560/540	490/540/500	520/570/540	490/540/500
Emergency Lux at 1m (lux):	NA	NA	70	70
CCT (K):	3000/4000/6500	3000/4000/6500	3000/4000/6500	3000/4000/6500
CRI:	80	80	80	80
IP:	54	54	54	54
Operation Temperature (°C):	-20 ≤ Ta ≤ +40	-20 ≤ Ta ≤ +40	0 ≤ Ta ≤ +40	0 ≤ Ta ≤ +40
Inrush Current:	13.5A/100us	9A/3us	9A/3us	9A/3us
RG Value:	0	0	0	0
SDCM:	<6	<6	<6	<6
P _{ST} LM:	NA	NA	NA	NA
SVM:	NA	NA	NA	NA
Energy Class:	E	E	E	E
Rated Life to L70B50 (Hrs):	30000	30000	30000	30000
Dimensions ØxH (mm):	300x60	300x60	300x60	300x60
Weight (kg):	0.84	0.87	0.97	1.00

Separate Control Gear Information

Type of Light Source:	LED	LED	LED	LED
Full Load Efficiency (%):	94	84	94	84
P _{NET} (W):	NA	NA	NA	NA
Dimensions (mm):	63x36x20	77x68x15	63x36x20	77x68x15

Product is certified to all the relevant standards.

Please contact our technical department for market specific compliances.

PLEASE NOTE: INFORMATION IN THIS DOCUMENT MAY BE SUBJECT TO CHANGE WITHOUT PRIOR NOTICE

IRE: TEL: +353 1 709 9000
 UK: TEL: 0800 973 220
 AUS: TEL: +61 7 3890 5444
 NZ: TEL: +64 03 668 5285

WEB: ROBUS.COM
 WEB: ROBUS.COM
 WEB: ROBUS.COM.AU
 WEB: ROBUSLED.CO.NZ

LED GROUP EUROPE · UK · AUSTRALIA · NEW ZEALAND · ASIA · MIDDLE EAST · AFRICA

Cone Illuminance Diagram

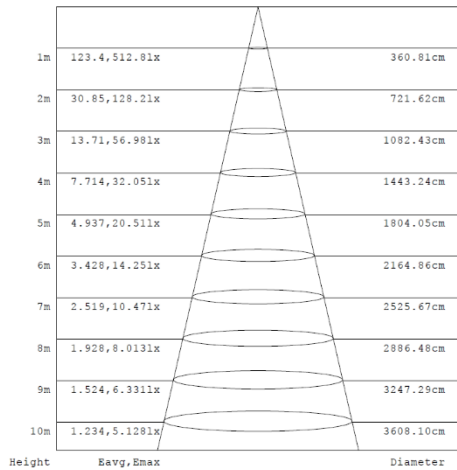
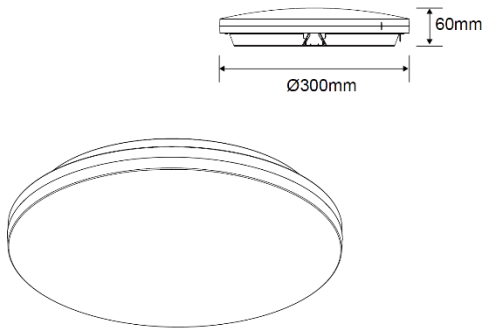


Diagram for RPO18CCT3-01 in 3000K. Other diagrams available on request

Dimension Diagram



Sensor Data

Time Off Delay:	5s/ 90s/ 5min/ 10min
Illuminance Switching Range (Lux):	2lux/10lux/50lux/disabled
Sensitivity Range (%):	50%/ 100%
Stand By Dimming Levels:	20%/40%/100%
Mounting Height (max):	6m
Detection Zone Diameter (max):	14m

Polar Intensity Diagram

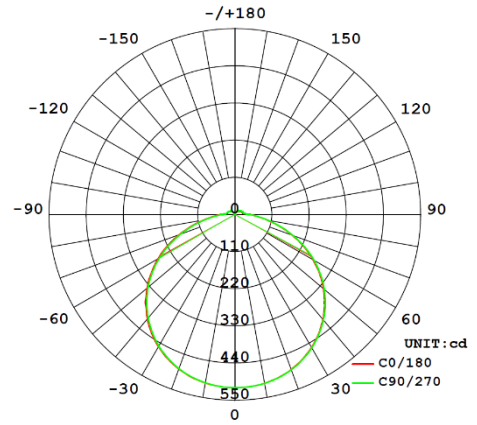


Diagram for RPO18CCT3-01 in 3000K. Other diagrams available on request

Accessories

PLEASE NOTE: INFORMATION IN THIS DOCUMENT MAY BE SUBJECT TO CHANGE WITHOUT PRIOR NOTICE

IRE: TEL: +353 1 709 9000
 UK: TEL: 0800 973 220
 AUS: TEL: +61 7 3890 5444
 NZ: TEL: +64 03 668 5285

WEB: ROB.US.COM
 WEB: ROB.US.COM
 WEB: ROB.US.COM.AU
 WEB: ROB.US.LED.CO.NZ

LED GROUP EUROPE · UK · AUSTRALIA · NEW ZEALAND · ASIA · MIDDLE EAST · AFRICA