

SURFACE FITTINGS

ROBUS®

LUSTRE LED 18W AND 24W SURFACE FITTING, 3,000K, 4,000K, 6,000K CCT SELECTABLE, WHITE

This great range provides a choice of lumen packages, selectable colour temperature with standard and integral microwave sensor options to deliver extensive functionality and energy saving solutions to replace traditional fluorescent. Simple aesthetics make this an attractive fitting for use in residential or commercial applications.



Applications:

- Flat & apartment blocks
- Public Buildings
- Shops
- Hotels, pubs & restaurants
- Care homes
- Cloak & rest rooms
- Stairwells
- Corridors
- Communal areas

Construction:

Trim-less pressed & rolled steel base
PC lens over LEDs
PMMA diffuser

Features:

- Pressed & rolled steel base with high impact UV stabilised opal PMMA diffuser
- Available in two wattages
- Warm, Neutral or Daylight white Colour Temperature selectable via driver mounted 3 position switch
- Standard and integral microwave version with adjustable detection zone, time off delay and light switching point
- Utilises high quality long life surface mount 5730 SMD LED technology to:
 - Provide exceptional light output and low power consumption to achieve great efficacy
 - Ensure lumen & CCT depreciation is minimised
 - Achieve a rated LED life of 30,000 hours
- Solid state technology
 - No heat filaments, electrodes or seals
 - No cool down or warm up time
- Wide ambient operating temperature range
- Twist & lock diffuser
- Preformed and grommeted rear entry facility
- Pre-punched base mounting holes
- Connection block with large terminals

Benefits:

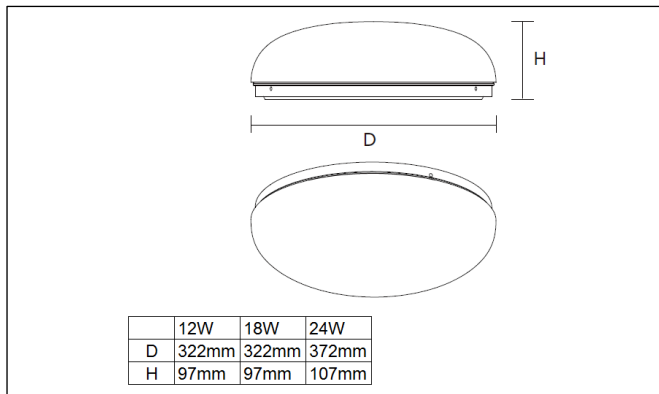
- Strong and durable construction provides long service life
- Steel base provides excellent heat conduction
- Diffuser allows maximum light output transmission with:
 - Low glare
 - Uniform light distribution without hotspots
 - Pleasing aesthetics as the individual LED's are not visible
- Medium light output for smaller rooms corridors, stairways and landings
- High output for large areas to reduce the number of fittings used
- Select the CCT for the use of the lit space after installation
- Change CCT if the use changes by simply removing the diffuser
- Provides additional energy saving in areas not permanently in use
- Fast and simple installation with no additional wiring for sensors
- Compared to compact fluorescent:
 - Comparable light output so is a one for one replacement
 - Energy savings of over 40% providing paybacks in <12 months
 - Superb efficacy
 - Light output and colour is consistent over life
 - No maintenance cost for replacement lamps
- Rugged – will not fail through vibration or hot to cold temperature changes for huge maintenance cost savings
- Can be used in conjunction with presence detectors to provide "instant on/off" for additional energy savings without detriment to LED life as is the case with traditional light sources
- Can be operated 24/7
- Ideal for environments with extremes of hot to cold temperature
- Simple access for mounting and termination
- Easy cable access with no cable chaffing on metal base
- Fitting base can be quickly installed on wall or ceiling
- Facilitates 2 sets of conductors for loop in/out

SURFACE FITTINGS

ROBUS®

LUSTRE LED 18W AND 24W SURFACE FITTING, 3,000K, 4,000K, 6,000K CCT SELECTABLE, WHITE

Product Code:	Standard: Microwave:	RLU18X0-01 RLU18X0S-01	RLU24X0-01 RLU24X0S-01
Comparable to 2D (W):		28	38
Total Power (W):		19.4/18.10/19.3	25.7/24.1/25.9
Total Light Output (lm):		1,450/1,730/1,510	2,010/2,380/2,080
Efficacy (lm / cctW):		75/96/98	78/99/80
Rated LED Life (hrs):		30,000	30,000
Warranty (yrs):		2	2
Illuminance at 1m (lx):		360/430/380	530/630/550
Beam Angle (deg):		120	120
CCT (K):		3,000/4,000/6,000	3,000/4,000/6,000
CRI (Ra):		80	80
Ingress Protection (IP):		20	20
Impact rating (IK):		07	07
Operating Temperature (°C):		-20 ≤ Ta ≤ +40	-20 ≤ Ta ≤ +40
Operating Voltage (Vac):		220-240	220-240
Power Factor (PF):		0.51	0.55
Diameter (mm):		322	372
Height (mm):		97	107
Box Qty:		1	1
Weight (kg):		0.6 Standard 0.7 Microwave	0.9 Standard 0.9 Microwave



Microwave sensor version data:	
Time off delay:	5s to 30m
Illuminance switching range:	Disabled, 2 lx to 50lx
Sensitivity range [%]:	10, 25, 50, 75, 100
Mounting height (max):	6m
Detection zone diameter (max):	12m

Standards & Approvals:

Complies with: EN 60598-1, EN 60598-2-1, EN62031+A1+A2, EN 62493, EN62471, EN 55015, EN 61574, EN 61000-3-2, EN 60001-3-3, EN 61374-1, EN61374-1

Cone Illuminance Diagram:

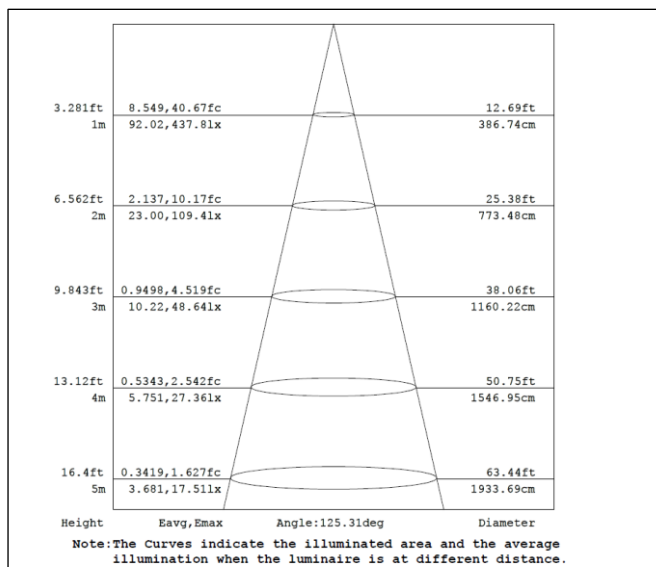
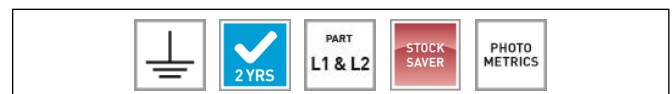


Diagram for RLU18X0-01 in 4,500K. Other diagrams available on request



Polar Intensity Diagram:

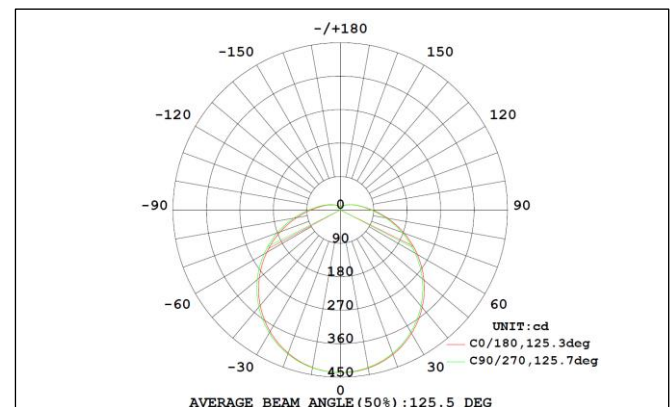


Diagram for RLU18X0-01 in 4,000K. Other diagrams available on request