

**KINGSTON 70W & 120W LED low bay, IP20, 5000K,
1-10V Dimmable or Integral MW Sensor with 3-step dimming**

This superb fitting ticks all the boxes having great aesthetics, two wattages with either 1-10v driver for daylight harvest energy saving or integral sensor with 3 step dimming (corridor function) options. This functionality together with efficacies of over 120lm/cctW lowers the energy consumption of the installation, making a huge contribution to reducing the carbon footprint of the building



Application Areas:

- Low/medium height rack storage
- Factory manufacturing and assembly
- Industrial units
- Shopping arcades/centres
- Bus, coach and car repair garages
- Workshops
- Exhibition halls
- Gymnasiums

Construction:

White (RAL9016) powder coated steel body
Polycarbonate Lens and end caps
Aluminium reflector
Aluminium composite PCB

Features:

- Two power options available utilising PHILIPS 5,000K high quality IES LM80 tested SMD LED's and IES TM21 extrapolation
- Available with:
 - 1-10VDC driver as standard
 - OR for 120W version
 - 1-10VDC driver + Integral 800W LED rated microwave sensor with 3-step dimming (corridor function) providing:
 - Lux switching point (how dark before switching on)
 - Sensitivity (adjustable detection zone)
 - Hold time delay (time after no detection to go to standby)
 - Standby light output % and time delay before off
- Emergency versions available via conversions department
- Quality construction materials
- Tested to IK08
- Dual row LED design
- Standard clear lens provides 110° beam angle with optional lenses for 90° or 60° light distribution
- Option of 110° opal lens
- Grommets access cover to termination area with large terminals
- Space available for additional terminals
- Surface and suspension mounting kits included
- Wide ambient operating temperature range

Benefits:

- Comparable output to T8 or T16 with energy savings of ≈ 40%
- Has high efficacies of >120lm/cctW, long Rated LED Life, low lumen depreciation and low colour temperature shift for a consistent lighting solution over its extended lifetime
- Can be used with Robus externally mounted sensors for presence detection and daylight harvesting, or for retrofit where analogue sensors are already installed
- No external wiring other than mains supply required to provide a simple, cost effective functional solution for energy saving when the area is vacated
- With a couple of terminals added in the termination area, additional non-sensor fittings can be switched by the sensor fitting up to the sensor max load capacity
- Complete rows of fittings can be switched using the sensors "SYNC" function
- Integral emergency reduces install cost associated with dedicated emergency fittings
- Modern design provides great aesthetics
- Robust with a feel of quality for long life
- Reduces point source of light for greater eye comfort
- Provides efficient light distribution and uniformity
- Provides wide beam coverage at lower mounting heights with options for higher mounting and narrow beam distribution
- Anti-glare option
- Allows easy termination for 1.5mm² loop in/out conductors
- Sheathing is protected from chaffing
- Provision to loop sensor switched live and control conductors
- Allows dual mounting solutions suitable for most installations
- Ideal for areas with no heating or cooling where extremes of temperature may be experienced during summer/winter times

COMMERCIAL

KINGSTON 70W & 120W LED low bay, IP20, 5000K,
1-10V Dimmable or Integral MW Sensor with 3-step dimming

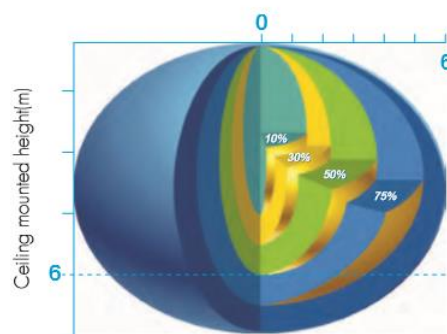
ROBUS®

Product Codes:	1-10V dimmable MW Sensor - 3 step dimming Emergency	RKN7050DA-01 N/A RKN7050DA-01E	RKN12050DA-01 RKN12050DP-01 RKN12050DA-01E
Comparable to:		4x36W T8	4x49W T16
Total Power (W):		71.9	122.9
Total Light Output (lm):		9,240	14,870
Emergency Mode Light Output (lm):		630	630
Efficacy (lm / cctW):		129	121
Rated Life (hrs):		50,000	50,000
Warranty (yrs):		5	5
Illuminance at 1m (lux):		4,110	6,620
Emergency Mode illuminance at 1m (lx):		280	280
Beam Angle (deg):		110	110
CCT (K):		5,000	5,000
CRI (Ra):		80	80
Ingress Protection (IP):		20	20
Impact Rating (IK):		08	08
Operating Temperature (°C):		-20 ≥ +40	-20 ≥ +40
Operating Voltage (Vac):		100-240	100-240
Power Factor (PF):		0.95	0.95
Height (mm):		47	47
Length (mm):		1,295	1,295
Width (mm):		208	208
Box Qty:		1	1
Weight (kg):		4.39	4.7

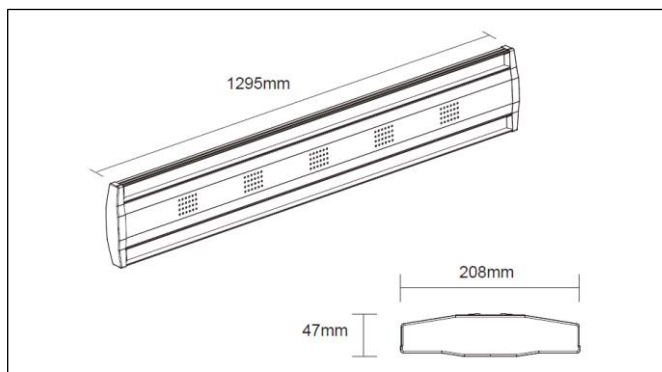
MW Sensor version data: RKN12050DP-01

Max mounting height (m):	6
Detection zone (Ø x H) (m):	12 x 6
Sensitivity (%):	10 to 100
Hold time:	5s to 30min
Standby light level (%):	10 to 50

Detection Pattern



Ceiling mounted detection pattern (m)



Accessories:

RKNL60	60° lens accessory for 70W and 120W
RKNL90	90° lens accessory for 70W and 120W
RKNOPL	Opal lens accessory for 70W and 120W
RDLHRV-	Daylight Harvest Sensor, 1-10V dimming
RRD360MW-01	Radar 360deg MW Sensor with 3 step dimming

Standards & Approvals:

Complies with: EN 60598-1, EN 60598-2-1, EN 62471, EN 62493, EN 55015, EN 61000-3-2, EN 61000-3-3, EN 61547

Cone Illuminance Diagram:

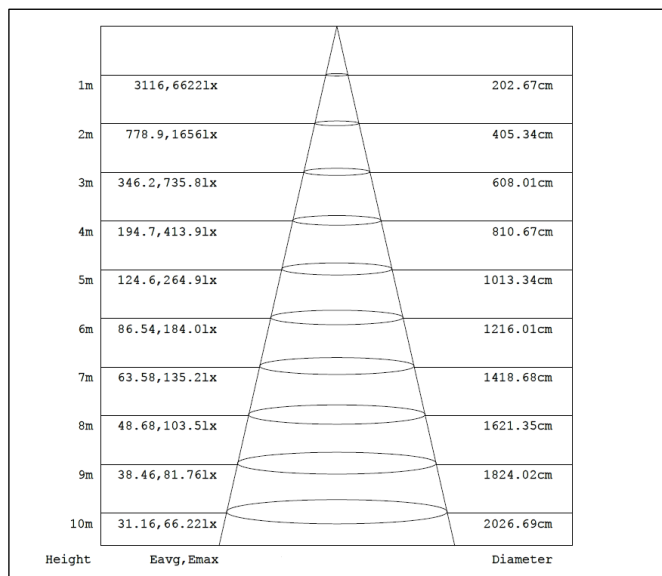
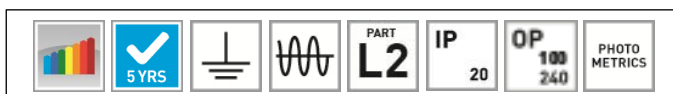


Diagram for RKN12050DA-01 in 5,000K. Other diagrams available on request



Polar Intensity Diagram:

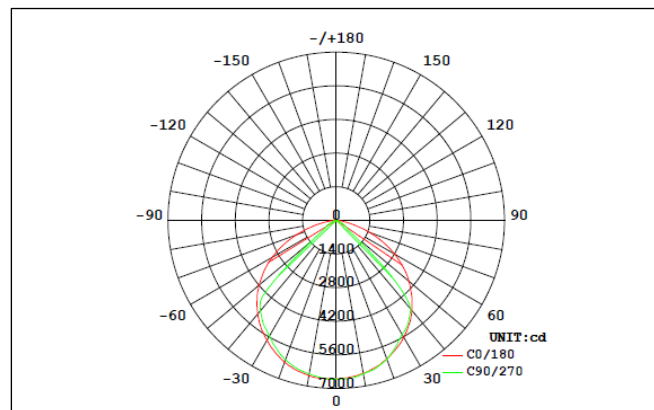


Diagram for RKN12050DA-01 in 5,000K. Other diagrams available on request