

IP54 18W 230MM 3000K & 4000K LED DOWNLIGHT, WHITE

R18230DL-01, R18230DLWW-01

PLEASE READ INSTRUCTION BEFORE COMMENCING INSTALLATION AND RETAIN FOR FUTURE REFERENCES.

! Electrical products can cause death or injury, or damage to property. If in any doubt about the installation or use of this product, consult a competent electrician

Note:

Product technical information and specification may change over time without prior notification
For the latest technical information please visit our web site www.ledgrouprobust.com or robustdirect.com

Specifications

Product code:	R18230DLWW-01	R18230DL-01
Voltage:	220V-240V ~ 50/60Hz	220V-240V ~ 50/60Hz
Power:	18W	18W
Lumen	1500lm	1600lm
CCT:	3000K	4000K
CRI:	85	85
PF:	0.92	0.92
Beam Angle:	110°	110°
IP:	54	54
Ta range:	-20°C ~ +45°C	-20°C ~ +45°C
Safety Class:	Class II	Class II
Diameter:	Ø230mm	Ø230mm
Depth:	58mm	58mm
Cutout:	Ø205mm	Ø205mm
Weight:	0.81Kg	0.81Kg
Installation:	Recessed Mounting	Recessed Mounting
Warranty:	5 Years	5 Years

Suitable for mounting on normally flammable surface

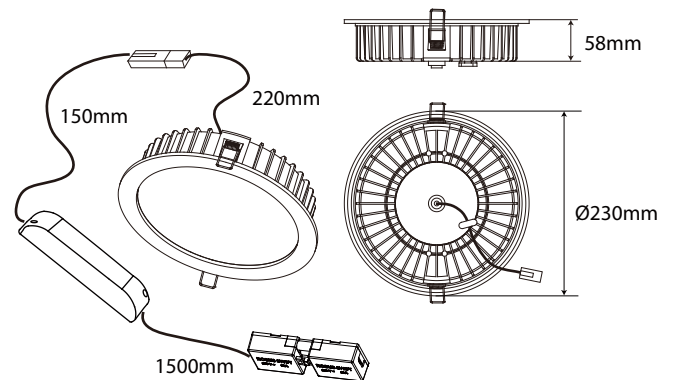
Driver must never be "hot-plugged" or connected to the fitting when live.

Doing this may damage the fitting and will void the warranty.

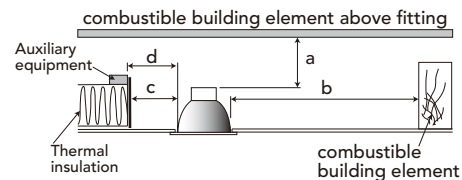
Complete with driver with female connector and male connector

Complies with EN55015/A2:2009, EN61547:2009, EN61000-3-2/A2:2009, EN61000-3-3:2008, EN60598-2-2:2012, EN60598-1/A11:2009, EN62031:2008, EN62471:2008, EN62493:2010

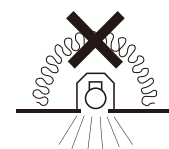
Dimension



Safety instructions



Dimension	Clearance
a	100mm
b	200mm
c	50mm
d	100mm



Luminaires not suitable for covering with thermally insulating material.

Information for the Product user:

1. Please note the requirement to dispose of Waste Electrical & Electronic Equipment separately from household waste (WEEE marked with crossed out wheelee bin symbol).
2. Please consider your role in contributing to re-use and recycling by returning this product at end of life to a collection centre for waste electrical equipment or a Civic Amenity site, or to a retail outlet from which you are purchasing a replacement.
3. This equipment may contain substances that are hazardous to health and the environment if disposed of carelessly. It is important that it is separated from normal household waste and recycled in the WEEE chain
4. The "crossed out wheelee bin symbol" on a product indicates this equipment must not be disposed of in normal household waste, but should be disposed of according to local WEEE regulations

The Installation must be carried out by a qualified electrician

LED Group

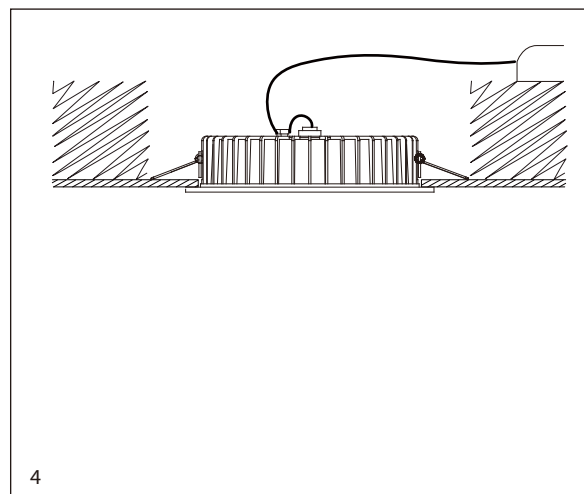
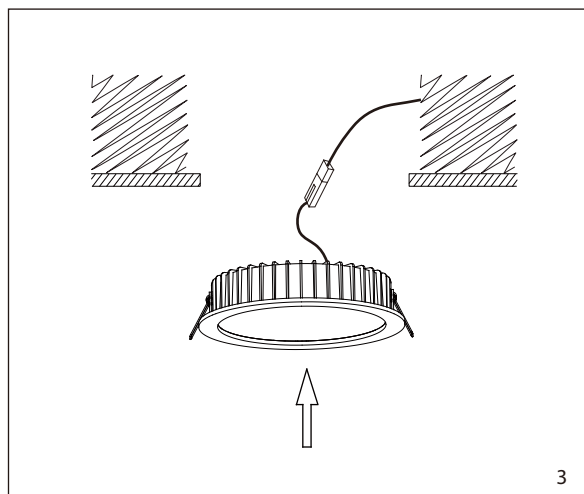
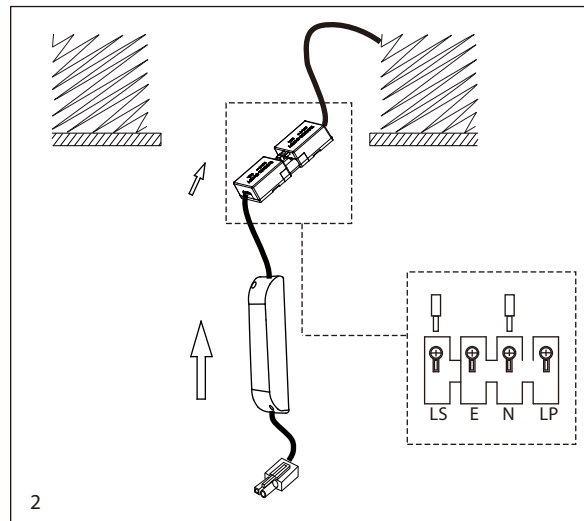
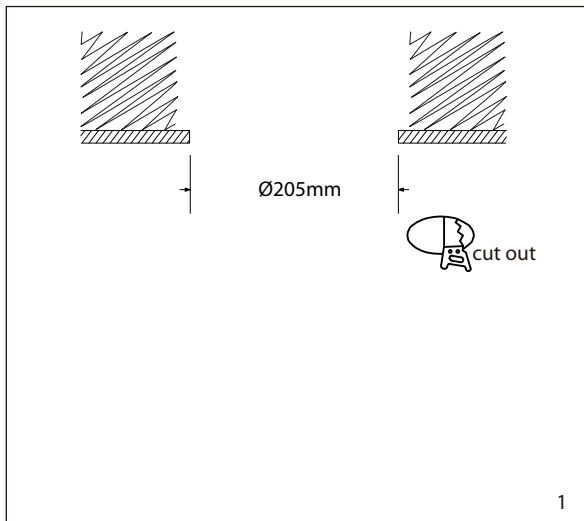
Western Retail Park
Nangor Road
Dublin 12
Ireland
Issue 5 140515

Tel: +353 1 7099000
Fax: +353 1 7099060
Email: info@led.ie
Website: www.led.ie



Installation

1. Ensure mains supply is switched off before commencing work.
2. Before cutting, ensure that the hole does not impinge on joists, pipe work, cables or other building services.
3. This luminaire requires a round hole $\text{Ø}205\text{mm}$ to be cut into the ceiling for correct installation.
4. Connect mains supply to the female connector Brown to L and Blue to N and attached male and female mains connector.
5. Connect male with female driver connector.
6. Place the driver above insulation.
7. Hold retention spring vertically against heat sink, push fitting through the cut-out until the springs come down on the upper side of the plasterboard. Ensure that the fitting is secure and the bezel is tight against the ceiling.



Information for the Product user:

1. Please note the requirement to dispose of Waste Electrical & Electronic Equipment separately from household waste (WEEE marked with crossed out wheellie bin symbol).
2. Please consider your role in contributing to re-use and recycling by returning this product at end of life to a collection centre for waste electrical equipment or a Civic Amenity site, or to a retail outlet from which you are purchasing a replacement.
3. This equipment may contain substances that are hazardous to health and the environment if disposed of carelessly. It is important that it is separated from normal household waste and recycled in the WEEE chain.
4. The "crossed out wheellie bin symbol" on a product indicates this equipment must not be disposed of in normal household waste, but should be disposed of according to local WEEE regulations.

The Installation must be carried out by a qualified electrician

LED Group

Western Retail Park
Nangor Road
Dublin 12
Ireland

Tel: +353 1 7099000
Fax: +353 1 7099060
Email: info@led.ie
Website: www.led.ie

