

SURFACE FITTINGS

ROBUS[®]

HAWK, EIFFEL BLUE AND EAGLET ANTI-TAMPER WHITE IP65 LED SURFACE FITTING RANGES

This suite of elegant, slim and attractive fittings with a modern aesthetic is designed using Golden Ratio principles for excellent aesthetics and provides an energy efficient solution to reduce the building carbon footprint.

It is available in 2 shell sizes, in standard and emergency versions, integral sensor, 2 or 3 step dimming control and DALI or Analogue dimming for Daylight Harvesting. It is also available as Eiffel Blue in 14W format, whilst Eaglet Glow and Warm White 14W gear trays are available as accessories to fit into the 330mm shell.



Applications:

- Commercial office Corridors, Toilets, Kitchens
- Retail shops
- Nursing home communal & personal space
- Apartment access stairs & corridors
- Hotel receptions
- Sports centre changing rooms

Construction:

Polycarbonate Body, Trim and Opal diffuser
Steel gear tray with laminate PCB

Features:

- Complies with the requirements of the Carbon Trusts ETCL
- A full range of anti-tamper surface mount fittings in 330mm or 420mm diameter shell sizes designed using Golden Ratio principles
- The 330mm shell has 2 lumen packages available in 2 wattage options whilst the 420mm shell has a dual-wattage driver delivering 2 light outputs selectable by a switch on the driver
- Eiffel Blue 14W is also available in the 330mm shell
- As an accessory to the 4,000K range, the 330mm Hawk anti-tamper shell is available to take the Eaglet gear tray options of Warm White 3,000K or Glow 4,000K with high CRI Ra-90, R9-65
- Available to compliment Standard & Emergency versions are:
 - 2 and 3 Step dimming
 - DALI & Analogue dimming
 - Integral Sensors
- The range utilises all polycarbonate construction with Robus Pro-diffuser tested to IK10 and IP65
- With Torx T20 security screws to retain cover to base
- A range of accessory trims are available
- Utilises high quality, long life, Runlite SMD LED's mounted on a steel tray
- Tested to IES LM80 and uses industry standard IES TM21 methods to verify Rated LED Life
- Solid state technology with no heat filaments or electrodes
- 20mm gland entry and BESA box mounting points moulded into base
- Side entry flats in base sides and knockouts in trim
- Unique "clip and detachable" gear tray with single fixing screw, flying lead and "SWIFT inside" 4 pole plug & play male connector
- Swift 4 pole female connector fitted in base

Benefits:

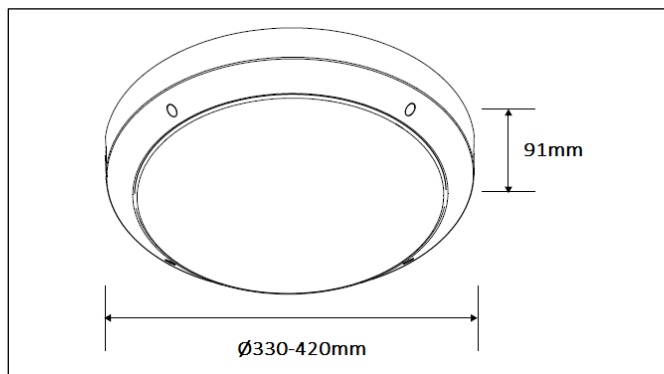
- Is eligible for the Enhanced Capital Allowance scheme which effectively reduces the cost of the total installation to that of a lower spec fitting not eligible for ECA's
- Allowable costs include the fittings, installation and transport to site
- Specifically for areas where security of the light fittings is of importance
- A common, attractive aesthetic is achieved throughout the installation
- Provides a choice of light outputs to replace traditional CFL light sources on a one for one basis
- Discourages loitering and makes substance abuse more difficult
- Great where a warmer light colour is preferred or a high CRI to highlight red colours such as in make-up and dressing rooms where the integrity of security is still a consideration
- Integral sensors can solve re-wiring issues for 2 or 3 step dimming which is ideal to provide a pre-set level of background light
- Further energy cost savings can be implemented using daylight harvesting dimmable drivers to further reduce the buildings carbon footprint
- Maximises light output, low glare, even light distribution without hotspots
- Strong and durable so provides exceptionally long physical service life
- Provides a good level of anti-tamper properties against impulse vandalism
- Provides an attractive, bespoke aesthetic to the installation
- Provides confidence that our performance claims are verified by testing to demonstrate:
 - High lumen output, low energy consumption and high efficacy
 - Long life, low lumen depreciation with insignificant colour shift
- The fitting therefore provides:
 - Low maintenance cost with no lamp changes
 - More light per watt than many similar LED fittings available
 - Comparable light output to CFL alternatives so is a one for one substitute
 - Light output and colour is consistent over life
 - Superb efficacy providing compliance with current & foreseeable legislation
- Rugged -no premature failures due to vibration & temperature variations
- Can be switched or dimmed by external sensors to deliver even greater energy savings when lighting is not required without detriment to life time
- Caters for direct cable entry, BESA box or surface conduit structured wiring systems
- Fast removal and replacement of gear tray during cable installation
- Quick and Easy mains termination into fitting base with large termination area and terminals speeds up installation and facilitates loop in/out
- Easy to upgrade gear tray - future proofing as technology evolves

SURFACE FITTINGS

ROBUS®

HAWK, EIFFEL BLUE AND EAGLET ANTI-TAMPER WHITE IP65 LED SURFACE FITTING RANGES

	HAWK			HAWK EIFFEL BLUE	Eaglet WW Gear Tray	Eaglet Glow Gear Tray	
Product Code:	Standard:	RHKM01040-01	RHKM01540-01	RHKLDP40-01	REEM015B460-01	RETM01530	RETM01540C90
Emergency:		RHKM01040E-01	RHKM01540E-01	RHKLDP40E-01	NA	NA	NA
Comparable to:		28W PL	38W PL	55/2x38W PL	NA	38W PL	38W PL
Total Power (W):		9.6	12.7	23.2/35.4	13.8	12.4	12.7
Total Light Output (lm):		1,050	1,400	2,240/3,330	250lm [4,000mW @ 460 nm]	1,260	1,170
Emergency Mode Light Output (lm):		120	160	260	NA	NA	NA
Efficacy (lm / cctW):		109	110	97/95	NA	102	95
Illuminance at 1m (lux):		340	450	740/1,090	NA	420	390
Emergency Mode illuminance at 1m (lx):		40	80	120	NA	NA	NA
Beam Angle (deg):		110	110	110	110	110	110
Rated Life (hrs):		50,000	50,000	50,000	50,000	50,000	50,000
Warranty (yrs):		5	5	5	5	5	5
CCT (K):		4,000	4,000	4,000	BLUE	3,000	4,000
CRI (Ra):		80	80	80	NA	80	95 [R _a - 70]
Ingress Protection (IP):		65	65	65	65	65	65
Impact Rating (IK):		10	10	10	10	10	10
Operating Temperature (°C):		-20 ≤ Ta ≤ +35	-20 ≤ Ta ≤ +35	-20 ≤ Ta ≤ +35	-20 ≤ Ta ≤ +35	-20 ≤ Ta ≤ +35	-20 ≤ Ta ≤ +35
Operating Voltage (Vac):		220-240	220-240	220-240	220-240	220-240	220-240
Power Factor (PF):		0.95	0.95	0.95	0.95	0.95	0.95
Diameter (mm):		330	330	420	330	330	330
Depth (mm):		91	91	91	91	91	91
Box Qty:		1	1	1	1	1	1
Weight (kg):		1.28/1.54	1.28/1.54	1.56/1.82	1.45	1.28	1.28



Accessories:

RHKM-01	330mm housing, no tray
Trim accessories	
RHKMTRIM-24	Grey
RHKMTRIM-04	Black
RHKMEY-24	Grey eyelid
RHKMEY-04	Black eyelid
RHKMCR-24	Grey cross grid
RHKMCR-04	Black cross grid

Standards & Approvals:

Complies with: Requirements of the ETCL for Enhanced Capital Allowances
Parts L1 & L2 of the UK Building Regulations

Cone Illuminance Diagram:

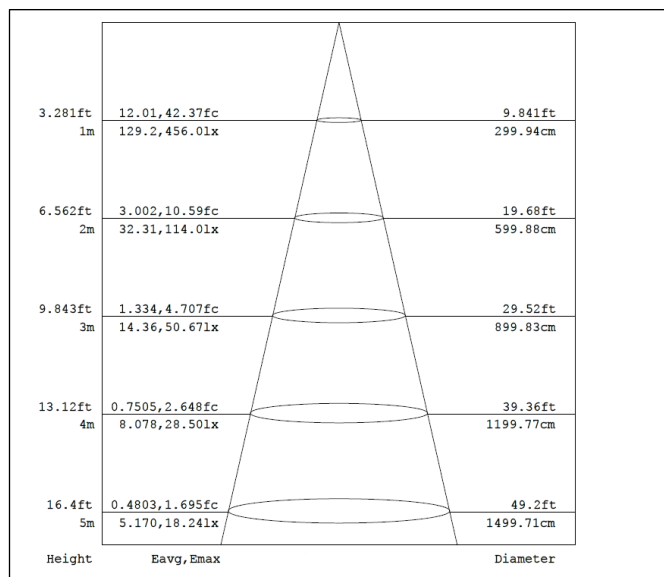


Diagram for RHKM1540-01 in 4,000K. Other diagrams available on request



Polar Intensity Diagram:

