

DOWNLIGHTS

DEXTER LED DOWNLIGHTS

ROBUS®

DEXTER 6W Directional, Dimmable and Non-Dimmable, IP20 LED downlight, 3000K and 4000K, White

This small and unobtrusive downlight is ideal where the ceiling is not the fire barrier and provides a range of dimming, directionality and light colour temperature functionality for a variety of mainly non-domestic installations. Low power consumption and high lumen packages ensure that energy and maintenance cost savings are maximised



Applications:

For non-fire rated applications in:

- Retail shops
- Libraries
- Hotels
- Restaurants, Pubs & Clubs
- Offices and meeting rooms
- Hotels and reception areas
- Museums and galleries
- Toilet, bathroom and cloakrooms

Construction:

White polybutylene LED & driver housing
White polycarbonate trim
Polycarbonate optic and reflector
Steel fixing clips

Features:

- Complete range
- White twist and lock standard trim
- Optional Brushed Chrome & Satin Silver trims available
- Wide, adjustable tilt angle
- High quality materials used in the construction
- Narrow flange diameter and cut-out
- Shallow body
- Recessed light source behind LEDchroic optic
- Utilises high quality SMD LED technology for:
 - Excellent light output
 - Low power consumption
 - Long LED life with stable colour temperature and CRI
- Integrated driver
- Non-dimmable and dimmable versions available (dimmer compatibility list on website)
- Rugged solid-state lighting technology with no filaments or electrodes to fail
- Double insulated
- Nylon covered clips

Benefits:

- Non-dimmable or dimmable, in warm or neutral white CCT for task based or more relaxing environments
- Will match or contrast with most decors
- Directional to highlight wall or floor mounted goods
- Strong and durable with superb aesthetics
- Provides a neat unobtrusive aesthetic
- Ideal for shallow voids where building services may run
- Discomfort glare is reduced to ≤ 21 for rooms 8H x 4H
- Clear light beam with no dark spots and has gentle fade to edges for uniform lighting design
- Compared to 50W mains voltage Halogen
 - One for one with greater light output for higher lux levels
 - Almost 90% power consumption for lower electricity bills
 - No lamp changes and colour temperature drift over life
- No installation issues with the driver
- Provides functional dimming for the use of the lit space
- Can take advantage of higher non-dim efficiency if not required
- Less susceptible to failure due to building vibration or hot/cold temperature variations
 - "Instant on"
 - Can be switched by microwave, PIR and/or photocell which is detrimental to life of traditional light sources so provides even greater energy savings when lighting not required
- Safe with no earthing required
- Eliminates ceiling damage on installation

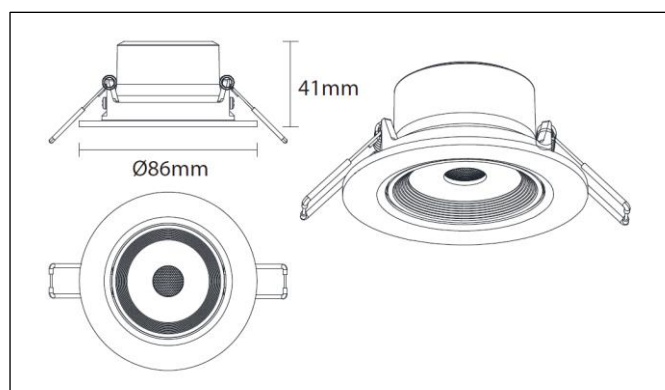
DOWNLIGHTS

DEXTER LED DOWNLIGHTS

ROBUS®

DEXTER 6W Directional, Dimmable and Non-Dimmable, IP20
LED downlight, 3000K and 4000K, White

Product Code:	RDE6P030-01	RDE6P030D-01	RDE6P040-01	RDE6P040D-01
	3000K Non-dimmable	3000K Dimmable	4000K Non-dimmable	4000K Dimmable
Comparable to:	50W halogen			
Total Power (W):	5.9	5.3	5.9	5.4
Total Light Output (lm):	480	420	510	460
Efficacy (lm / cctW):	81	79	86	85
Rated LED Life (hrs):	30000	30000	30000	30000
Warranty (yrs):	2	2	2	2
Illuminance at 1m (lx):	680	600	710	630
Beam Angle (deg):	38	38	38	38
CCT (K):	3000	3000	4000	4000
CRI (Ra):	80	80	80	80
Ingress Protection (IP):	20	20	20	20
Impact Rating (IK):	03	03	03	03
Operating Temperature	-20 ≤ Ta ≤ +40			
Operating Voltage (Vac):	220-240	220-240	220-240	220-240
Power Factor (PF):	0.54	0.8	0.54	0.8
Diameter (mm):	86	86	86	86
Cut out (mm):	70	70	70	70
Depth (mm):	41	41	41	41
Projection (mm):	3	3	3	3
Box Qty:	1	1	1	1
Weight (kg):	0.11	0.11	0.11	0.11



Accessories:

- RDETRIM-13 BRUSHED CHROME TRIM
- RDETRIM-15 SATIN SILVER TRIM

Standards & Approvals:

Complies with: EN60598-1, EN60598-2-1 EN 60598-2-5, EN55015, EN 60001-3-2, EN 60001-3-3, EN 62493, EN61547, EN 62471

Cone Illuminance Diagram:

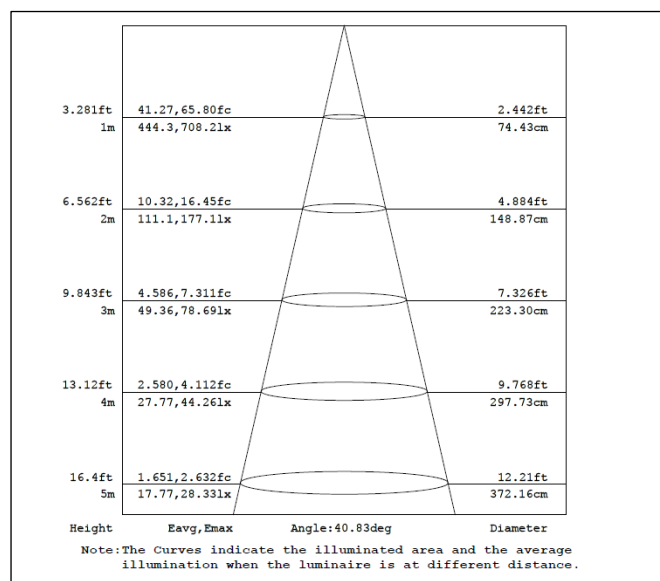
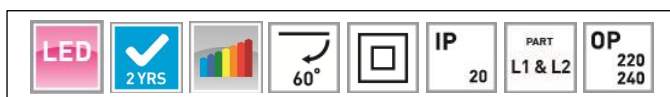


Diagram for RDE6P040-01 in 4,000K. Other diagrams available on request



Polar Intensity Diagram:

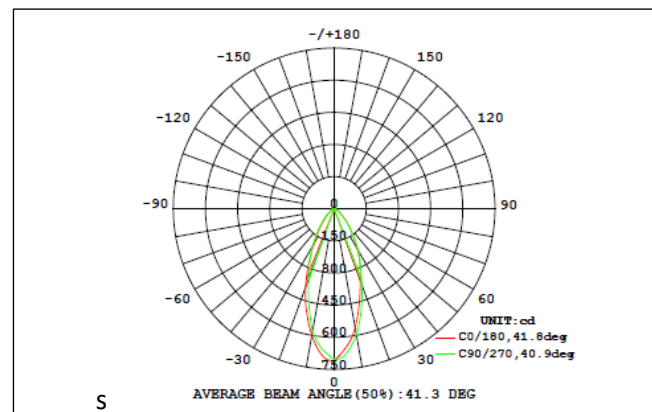


Diagram for RDE6P040-01 in 4,000K. Other diagrams available on request



PLEASE NOTE: INFORMATION IN THIS DOCUMENT MAY BE SUBJECT TO CHANGE WITHOUT PRIOR NOTICE

IRE: TEL: +353 1 709 9000 WEB: WWW.LEDGROUPROBUS.COM
AUS: TEL: +61 7 3890 5444 WEB: WWW.LEDGROUPROBUS.COM.AU